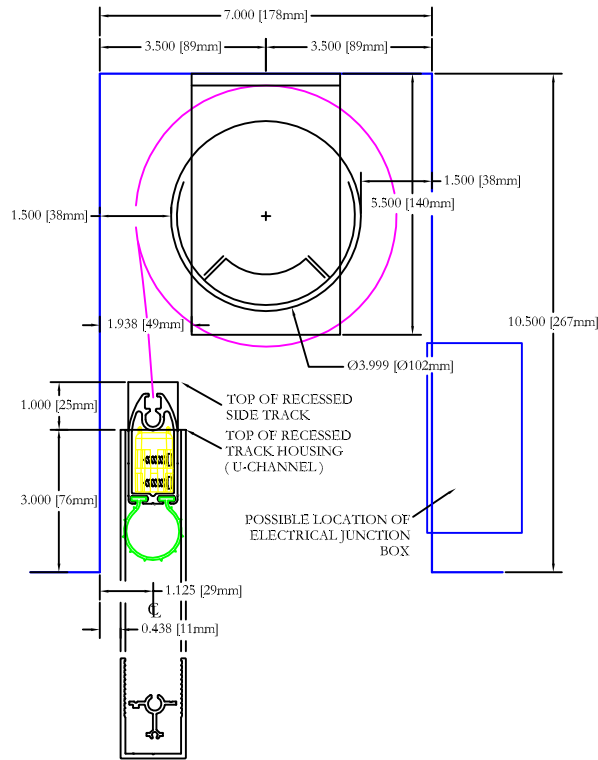


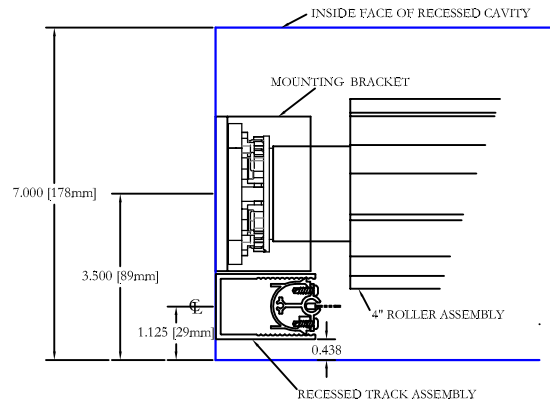
Recessed Roller Placement Details - Minimum Cavity Size for 4" Roller



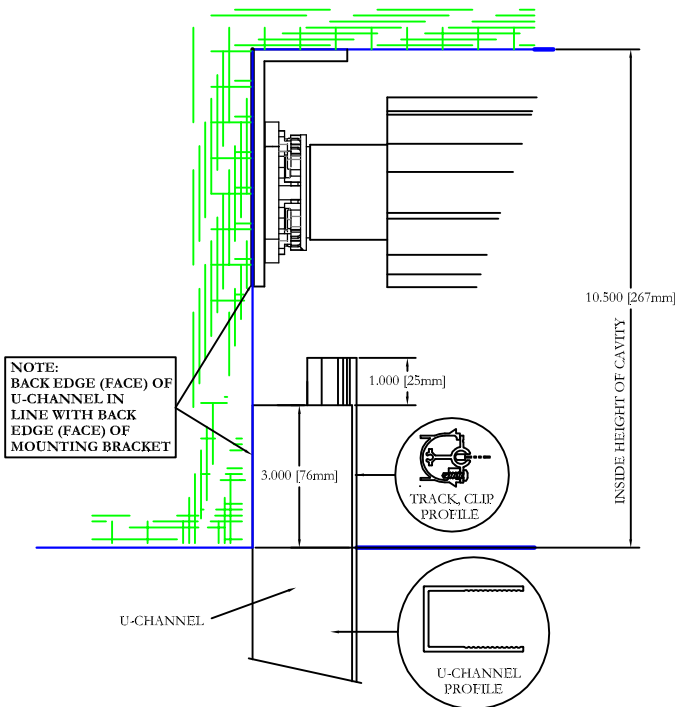
**PLACEMENT OF 4" ROLLER,
5-1/2" ROLLER MOUNTING BRACKET
AND RECESSED SIDE TRACK**

PRODUCT LIMITATION

**SIZE LIMITATION FOR THE 4 INCH ROLLER IS:
20 FEET (Wide) x 11 FEET (High/Pull Length)**



**RELATIONSHIP OF U-CHANNEL
TO MOTOR BRACKET IN A MINIMUM
RECESSED CAVITY C/W 4" ROLLER**



**RELATIONSHIP OF THE
SIDE TRACK U-CHANNEL
TO THE 5-1/2" MOTOR MOUNTING BRACKET**

All dimensions are given in inches, millimeters conversion in brackets

NOTE:

Smaller cavity sizes may be available for
your application;
Please check with your local Phantom
Authorized Distributor.

Rev #	Description of Revision	Approved by	Rev Date
Creator:	Date:	Approved By/Date:	
N.D.R.	07/15/2015		
Drawing Title:			
PSEXECINSTALLMINCAVITYSIZE4INCH02			
© 2015 Phantom Mfg. Intl Ltd.			Scale: 1 : 1